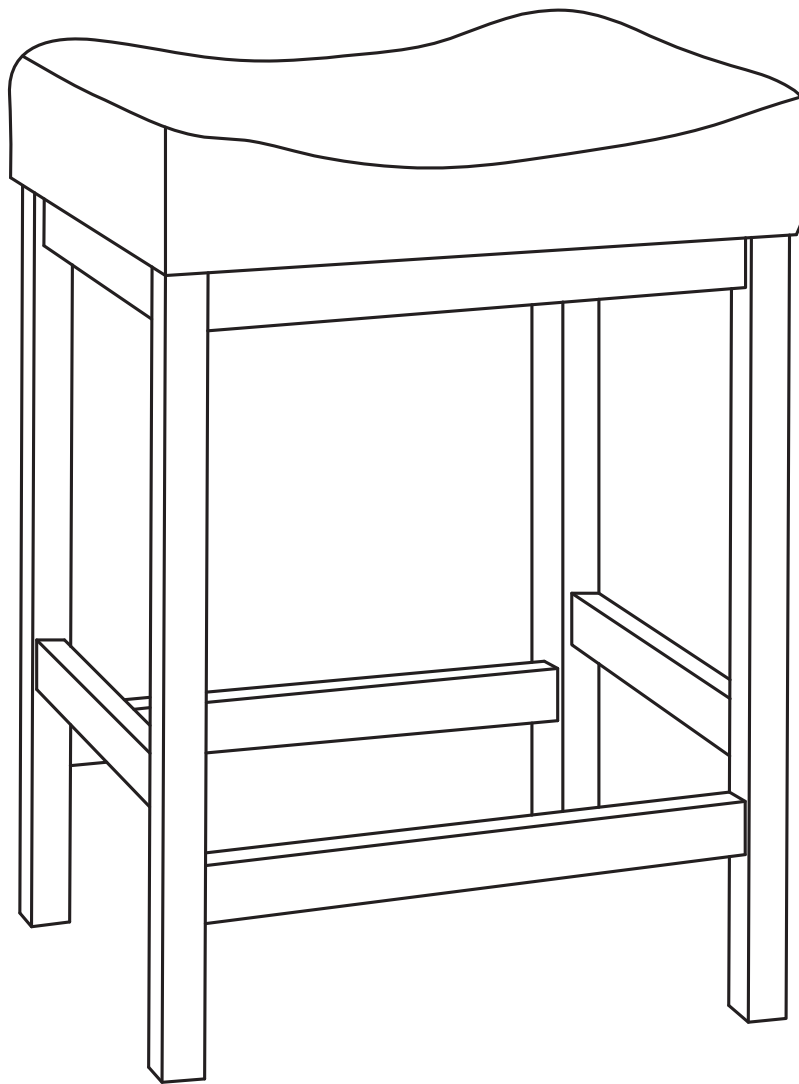




RAYNESYS

User Manual



Leather Upholstered Metal Barstools
2 Pack

IMPORTANT NOTICE

Dear customer:

If you receive a product with missing or damaged parts, or if you have any questions about the barstool, please contact Raynesys customer service mailbox for feedback, and we will give you a satisfactory solution.

We are very sorry for the possible inconvenience, and thank you for your understanding and support. Raynesys wishes you a happy life.

You can contact us by following ways:

(1) Raynesys customer service mailbox:
support@iRaynesys.com

(2) Contact us on Amazon: From your Amazon order details page, select

“Order” >> “Sold by” >> “Contact seller”

⚠ Attn:

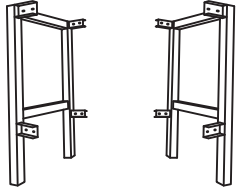


1.Do NOT let your kids climb on the barstool!

2.Prevent children from ingesting anti-mold chips and desiccants in the package!

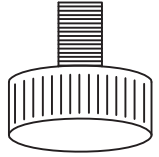
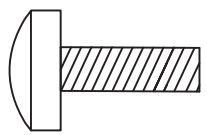
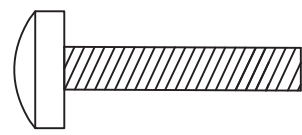

MAINTENANCE ADVICE

1. Please use a soft cloth or clean damp cloth for cleaning. Do NOT use bleach or abrasive cleaners.
2. Please store in a dry and cool area, avoiding high temperatures and direct sunlight to protect the finish.
3. Do not allow dirt to remain on the surface for a long time.
4. Please use a damp and clean cloth to immediately absorb any spilled liquid.
5. Do NOT lean with products containing the following: acetone (e.g., nail varnish remover), ammonia (e.g. bleach), or sodium hydroxide (e.g., caustic soda, drain, and oven cleaners).
6. Please check whether there are missing screws in the product regularly.
7. The product should NOT be discarded with household waste, and please take it to your local authority waste disposal center.

PARTS LIST

A (x4)	B (x8)	C (x2)
<p>Leg</p> 	<p>Cross Stretcher</p> 	<p>Barstool Seat</p> 

HARDWARE LIST

D (x8)	E (x16*2)	F (x4*2)
<p>Adjustable Feet</p> 	<p>Screws M6*16</p> 	<p>Screws M6*40</p> 
<p>G (x2)</p>		
<p>M6 Screw Wrench</p> 		

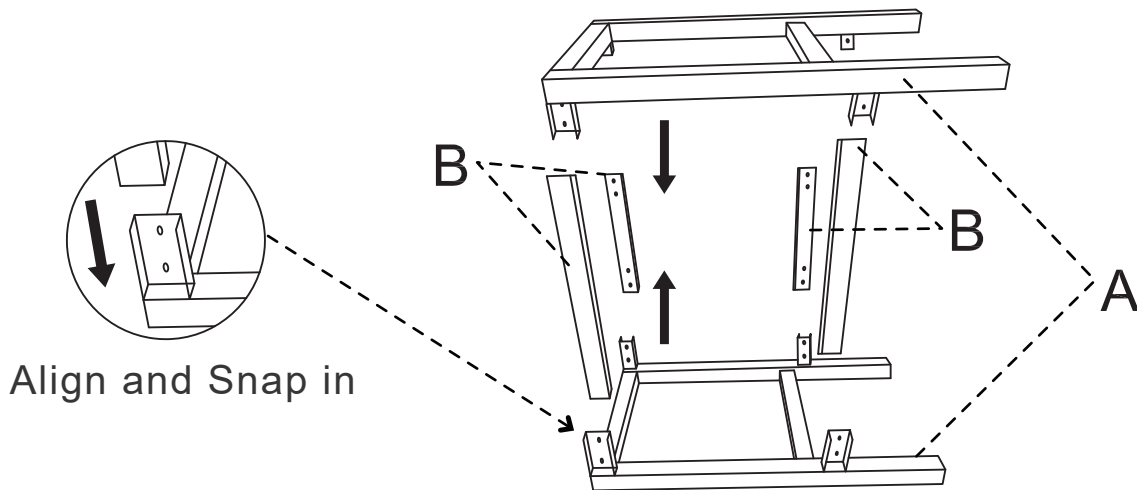
ASSEMBLY STEPS

⚠ Please Note:

Please tighten the screws of the barstools for 6 months or irregularly.

Step 1

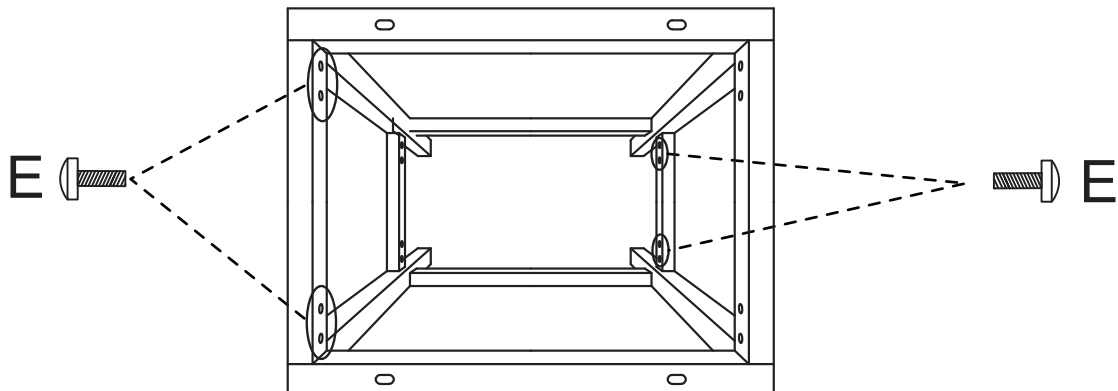
Align the cross stretcher (B) in turn and clip them into the barstool leg (A). Then clip in the other barstool leg (A).



Step 2

Use the wrench to tighten all M6*16 screws (E) on barstool frame.

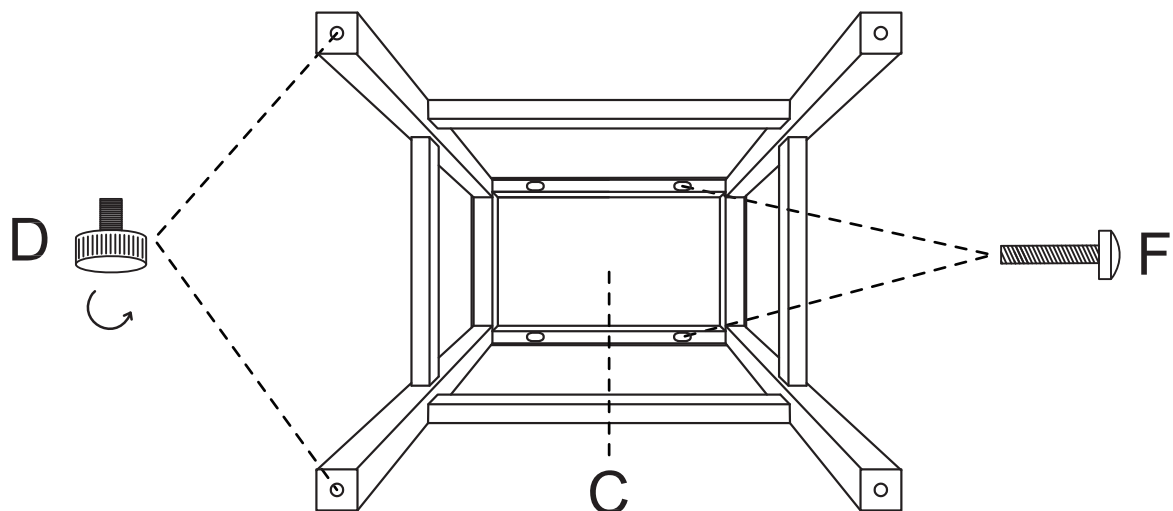
Note: Tighten the screws to a depth of 70%.



Step 3

Assemble the barstool seat (C) with 4 M6*40 screws (F). Then assemble the adjustable feet (D) at the bottom of the barstool leg (A).

Note: Align the screw holes and tighten them to 70%. Please check and then tighten them all to 100%.



Step 4

Check whether the barstool is stable and then ready to use.

Note: Check whether all screws are tightened before use.

