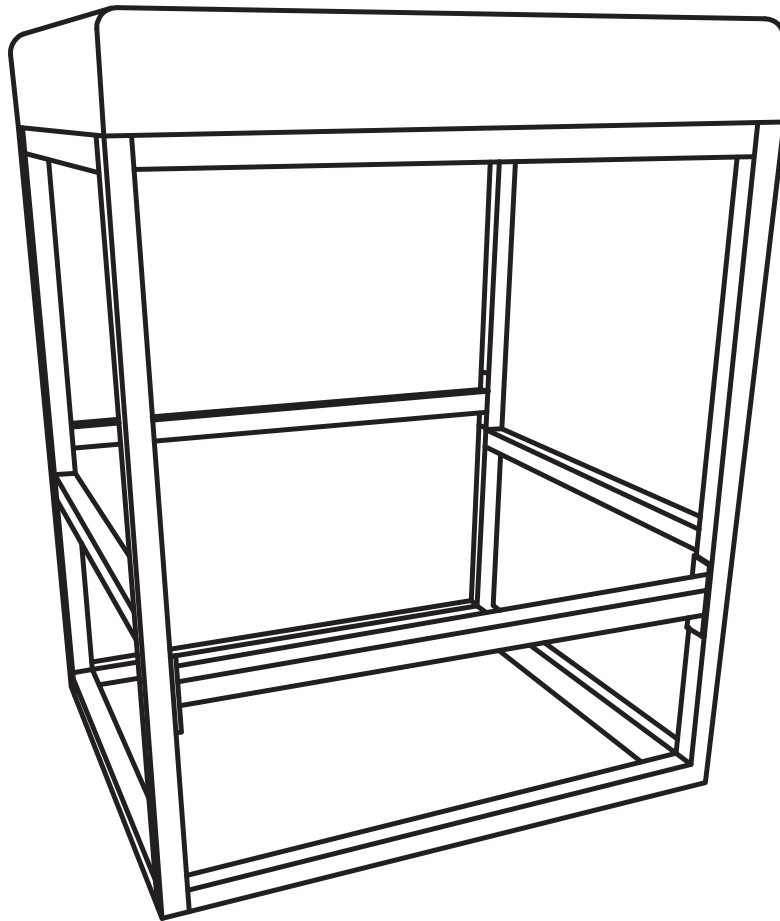




USER MANUAL



2Pack

Leather Upholstered Square Barstool

IMPORTANT NOTICE

Dear customer:

If you receive a product with missing or damaged parts, or if you have any questions about the barstool, please contact Raynesys customer service mailbox for feedback, and we will give you a satisfactory solution.

We are very sorry for the possible inconvenience, and thank you for your understanding and support. Raynesys wishes you a happy life.

You can contact us by following ways:

- (1) Raynesys customer service mailbox: **support@iRaynesys.com**
- (2) Contact us on Amazon: From your Amazon order details page, select **"Order" >> "Sold by" >> "Contact seller"**.



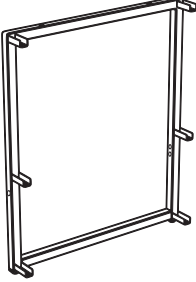
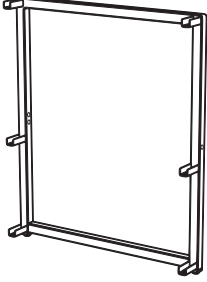



Attn:

- 1. Do NOT let your kids climb on the barstool!**
- 2. Prevent children from ingesting anti-mold chip and desiccants in the package!**


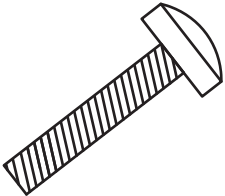
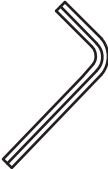

MAINTENANCE ADVICE

1. Please use a soft cloth or clean damp cloth for cleaning. Do NOT use bleach or abrasive cleaners.
2. Please store in a dry and cool area, avoiding high temperatures and direct sunlight to protect the finish.
3. Do not allow dirt to remain on the surface for a long time.
4. Please use a damp and clean cloth to immediately absorb any spilled liquid.
5. Do NOT lean with products containing the following: acetone (e.g., nail varnish remover), ammonia (e.g.bleach), or sodium hydroxide(e.g., caustic soda, drain, and oven cleaners).
6. Please check whether there are missing screws in the product regularly.
7. The product should NOT be discarded with household waste, and please take it to your local authority waste disposal center.

PARTS LIST

A(X2)	B(X2)	C(X4)
 <p>Front Leg</p>	 <p>Rear Leg</p>	 <p>Footrest Rail</p>
D(X12)	E(X2)	
 <p>Side Rail</p>	 <p>Barstool Seat</p>	

HARDWARE LIST

F(X56)	G(X16)	H(X2)	I(X8)
 <p>Screws M6*12</p>	 <p>Screws M6*40</p>	 <p>M6 Screw Wrench</p>	 <p>Adjustable Feet</p>

ASSEMBLY STEPS

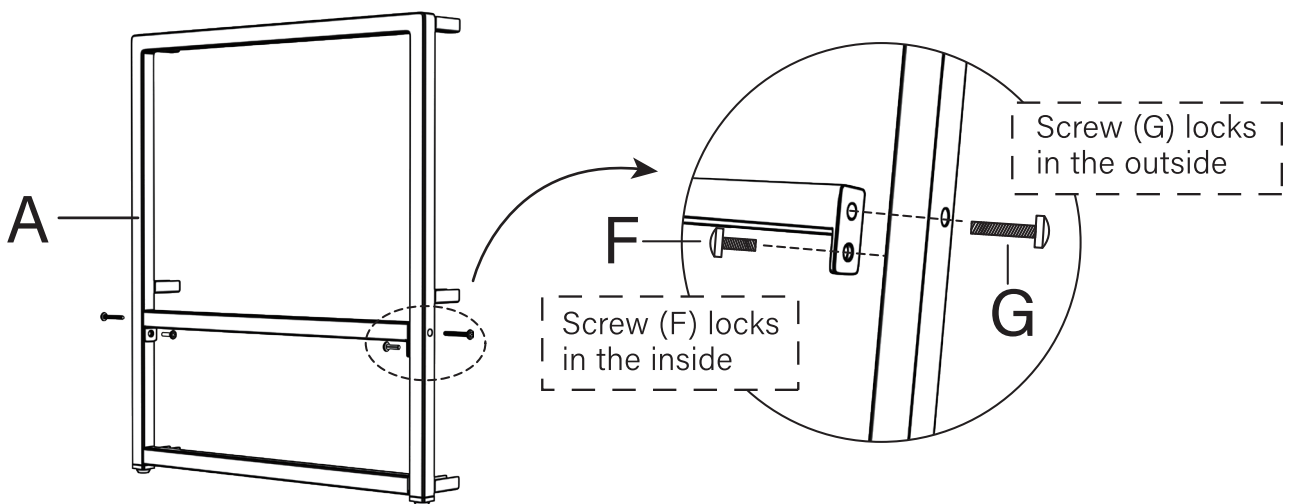
Please Note

Please tighten the screws of the barstools for 6 months or irregularly. The installation requires a lot of screws, it is recommended to use an electric drill to install.

Step 1

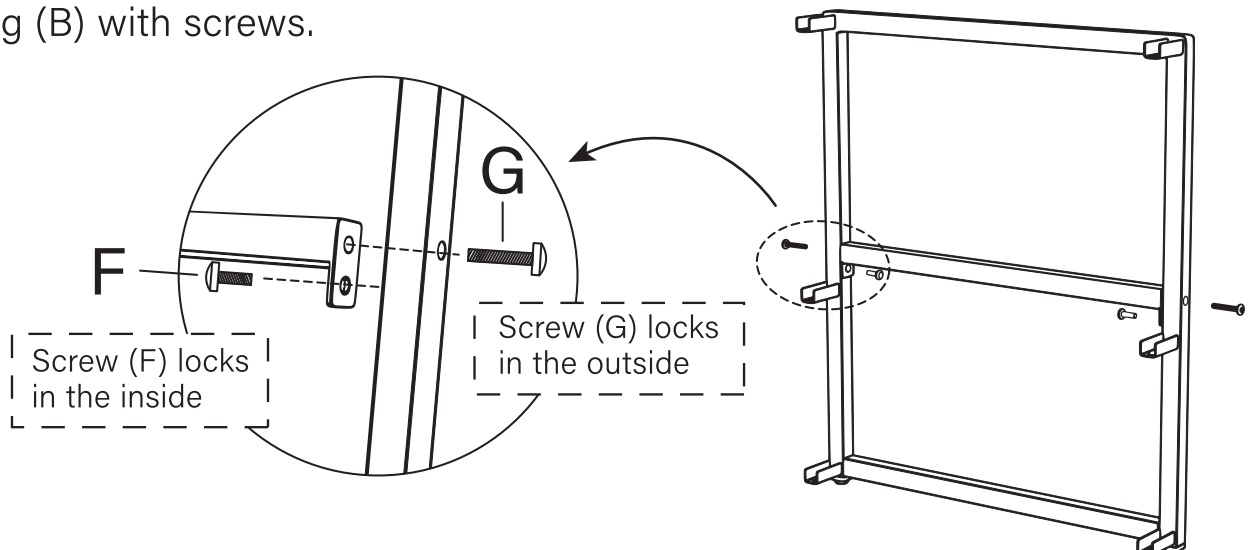
Assemble the footrest rail (C) to the front barstool leg (A) with M6*12 screw (F) and M6*40 screw (G) respectively.

Note: Tighten the screws to a depth of 70%.



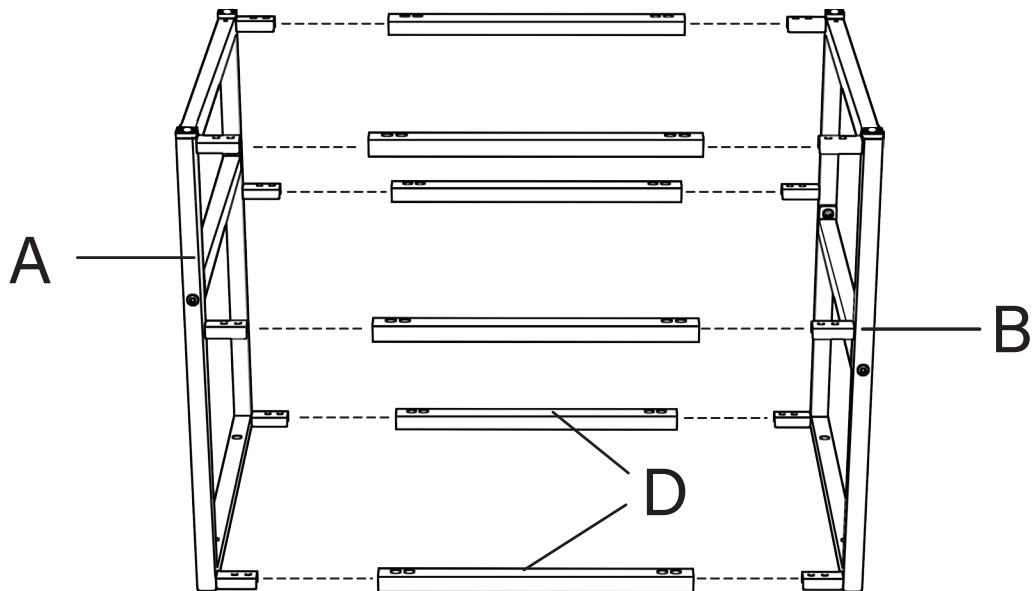
Step 2

Repeat the above steps, assemble the footrest rail (C) to the rear barstool leg (B) with screws.



Step 3

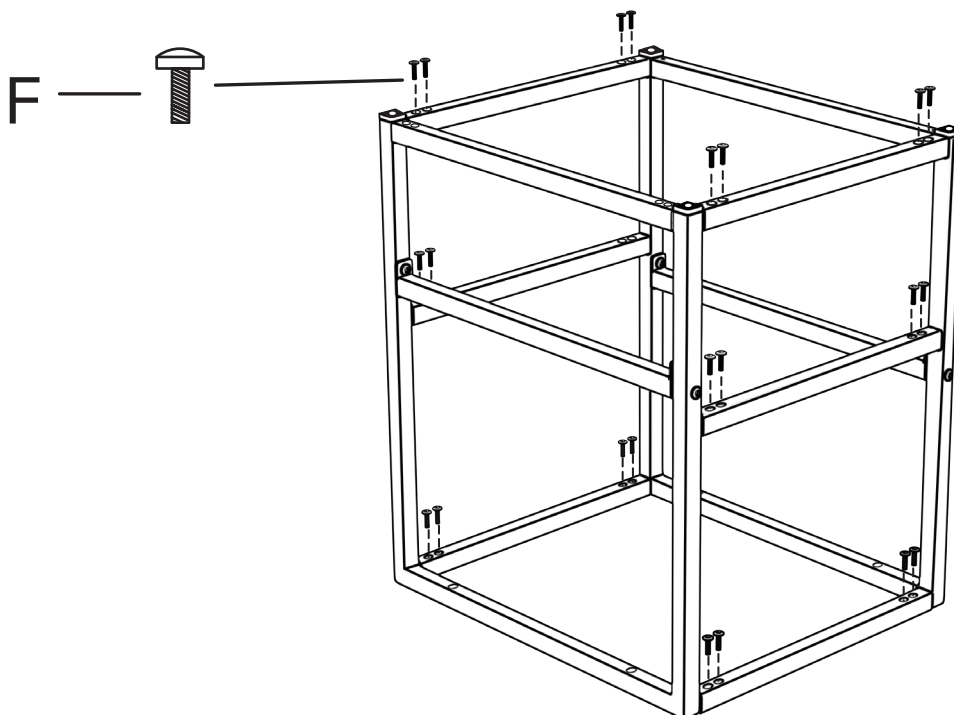
Align the side rail (D) in turn and snap them into the barstool leg (A). Then snap in the other barstool leg (B).



Step 4

Use the wrench (H) to tighten all M6*12 screws (F) on barstool frame.

Note: Tighten the screws to a depth of 70%.

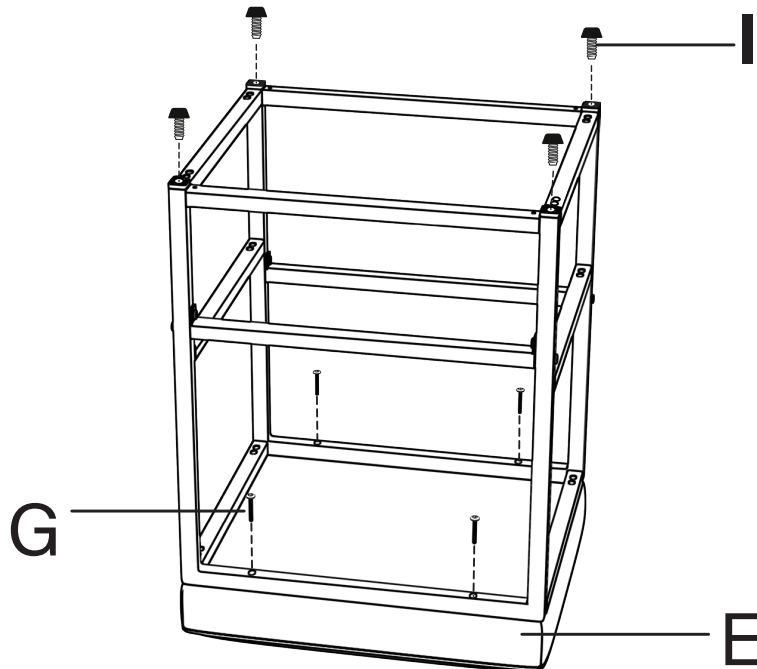


Step 5

Assemble the barstool seat (E) with 4 M6*40 screws (G).

Rotate and assemble the adjustable feet (I).

Note: Align the screw holes and tighten them to 70%. Please check and then tighten them all to 100%.



Step 6

Check whether the barstool is stable and then ready to use.

Note: Check whether all screws are tightened before use.

